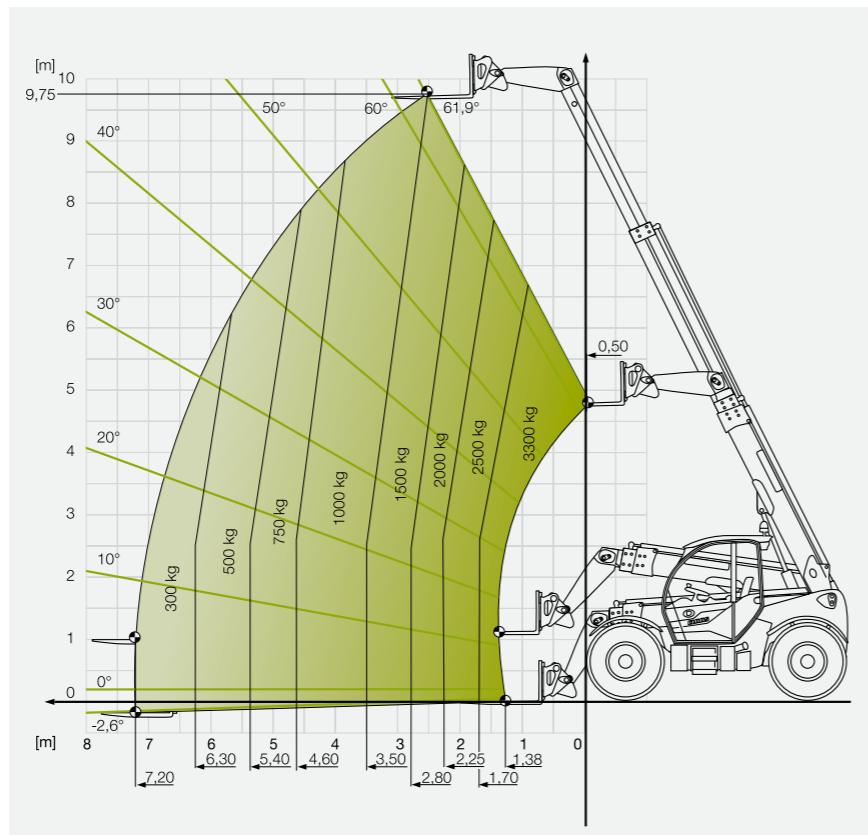


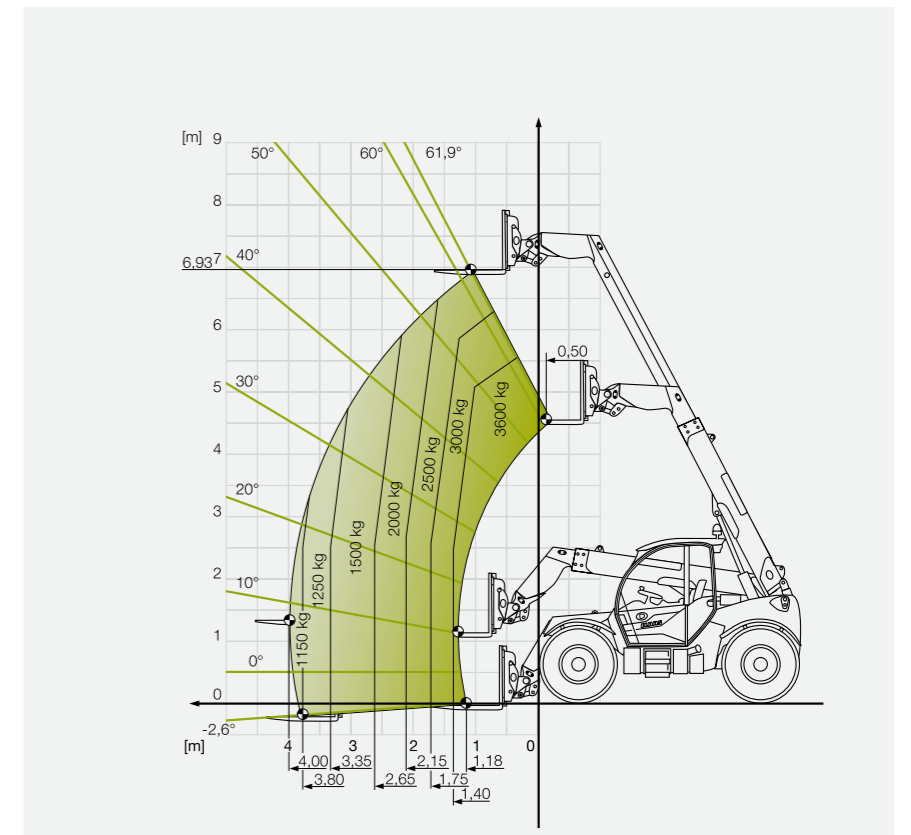
SCORPION 1033 / 1033 VARIPOWER

Lifting capacity chart with load centre (LC) 500 mm



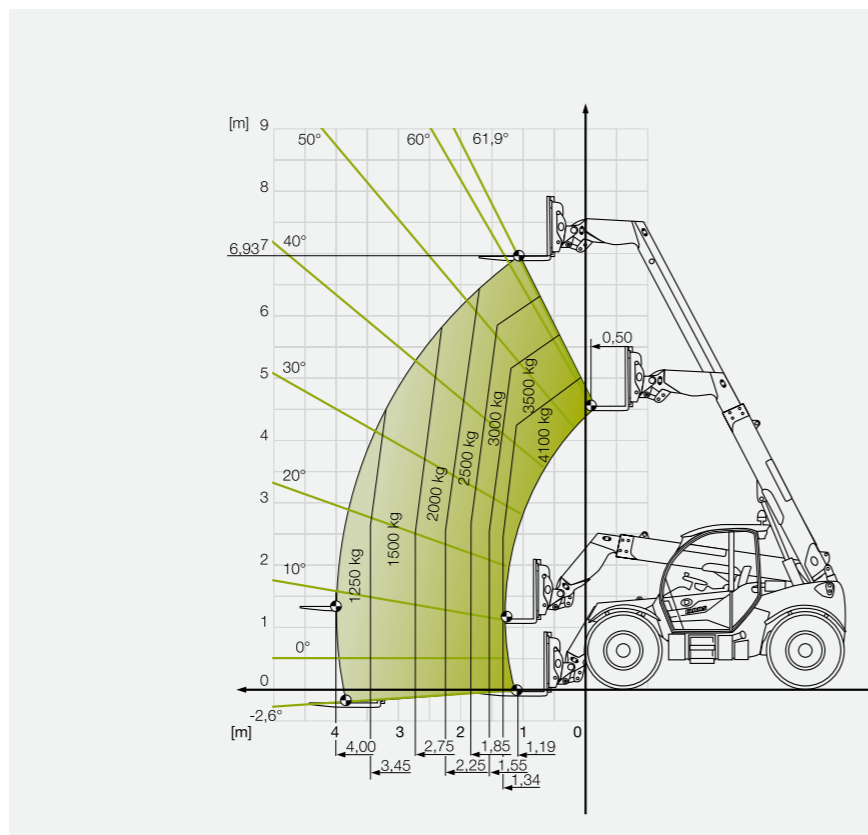
SCORPION 736 / 736 VARIPOWER

Lifting capacity chart with load centre (LC) 500 mm



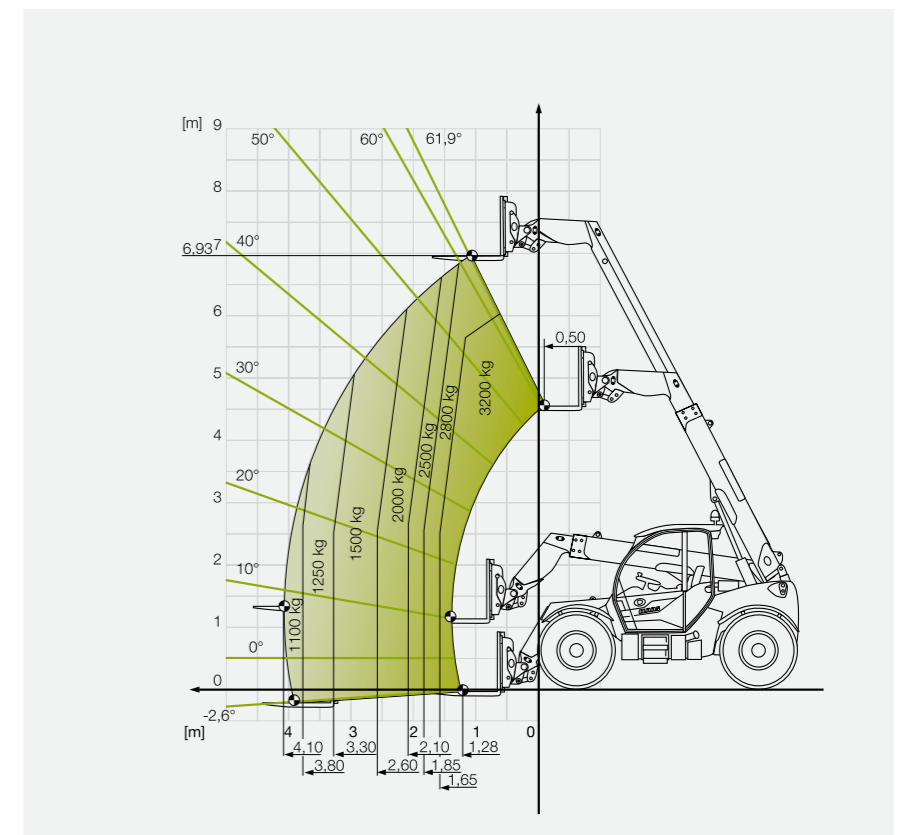
SCORPION 741 / 741 VARIPOWER

Lifting capacity chart with load centre (LC) 500 mm



SCORPION 732 / 732 VARIPOWER

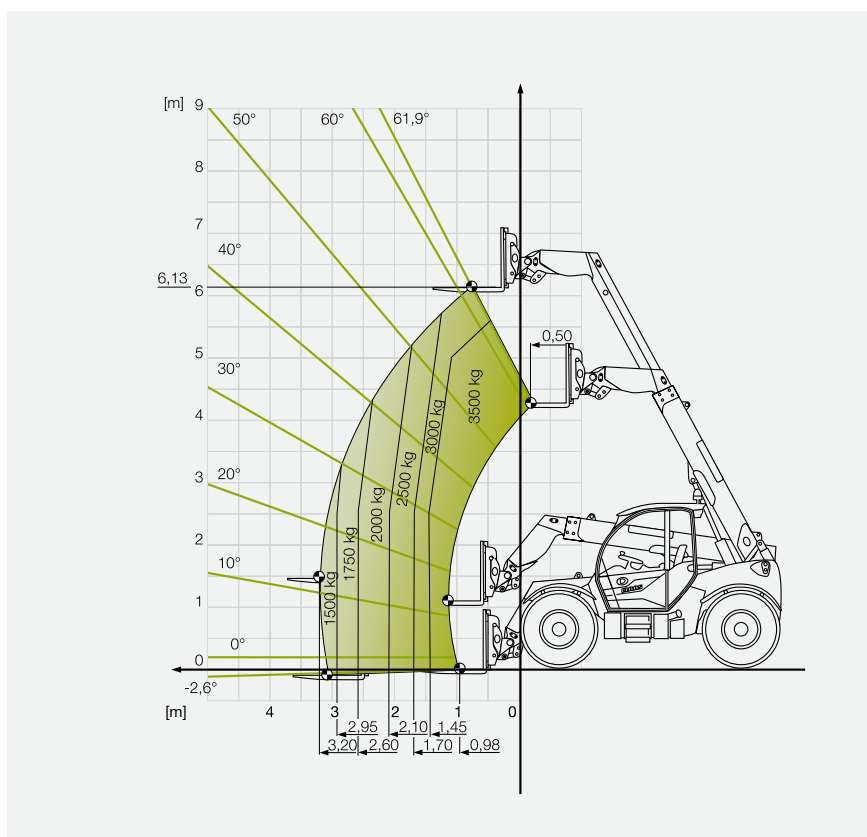
Lifting capacity chart with load centre (LC) 500 mm



Load capacity charts.

SCORPION 635 / 635 VARIPower

Lifting capacity chart
with load centre (LC) 500 mm



SCORPION		1033	741	736	732	635
Loading system						
Lift capacity	kg	3300	4100	3600	3200	3500
Lift height	mm	9750	6930	6930	6930	6130
Pressure release, third control circuit		o	o	o	o	o
Engine – Stage IIIA						
Manufacturer		Deutz	Deutz	Deutz	Deutz	Deutz
Model		TCD 3.6 L4	TCD 3.6 L4	TCD 3.6 L4	TCD 3.6 L4	TCD 3.6 L4
Layout / number of cylinders		R 4	R 4	R 4	R 4	R 4
Cubic capacity	cm ³	3621	3621	3621	3621	3621
Output at 2400 rpm (ECE R 120) ¹	kW/hp	100 / 136	100 / 136	100 / 136	100 / 136	100 / 136
Max. torque at 1600 rpm	Nm	500	500	500	500	500
Working hydraulics						
Gear pump, throttle control block ²	l/bar	106/270 ⁴	106/270 ⁴	106/270 ⁴	106/240 ⁴	106/240 ⁴
LS pump, LUDV valves ³	l/bar	160/270 ⁵	160/270 ⁵	160/270 ⁵	160/240 ⁵	160/240 ⁵
Spool valve		4x (standard), 5x (option)				
Ground drive						
Hydrostatic		VARIPOWER ³ Hydrostatic ²	VARIPOWER ³ Hydrostatic ²	VARIPOWER ³ Hydrostatic ²	VARIPOWER ³ Hydrostatic ²	VARIPOWER ³ Hydrostatic ²
Work levels ⁶	km/h	0–15/0–30/ 0–40 ⁷	0–15/0–30/ 0–40 ⁷	0–15/0–30/ 0–40 ⁷	0–15/0–30/ 0–40 ⁷	0–15/0–30/ 0–40 ⁷
Top speed max. ⁸	km/h	30/40 ¹	30/40 ¹	30/40 ¹	30/40 ¹	30/40 ¹
SMART ROADING		●	●	●	●	●
Tank capacity overview						
Fuel tank – diesel	l	150	150	150	150	150
Hydraulic oil – total quantity	l	140	140	140	140	140
Axles						
Front axle		Planetary drive axle				
Rear axle		Oscillating planetary axle				
Angle of oscillation	degrees	11				
Front differential lock		Self-locking differential 45%				
Steering lock	degrees	35	35	35	35	35
Hydraulic levelling +/-	degrees	8	–	–	–	–
Service brake						
Type		Foot-operated hydraulic power brake (closed-circuit, wet)				
Location		Front axle				
Parking brake						
Type		Electrohydraulic disc brake				
Location		Spring accumulator on front axle (also acts on rear axle via drive shaft)				
Weights						
Unladen weight, VARIPOWER equipment ⁹	kg	8230	7640	7420	7585	7510
Unladen weight (without VARIPOWER equipment) ¹⁰	kg	8050	7460	7130	7280	7320
Maximum permissible total weight	kg	8600	8600	8600	8600	8600

● Standard ○ Optional □ Available – Not available

SCORPION	1033	741	736	732	635
SMART LOADING / electronics competence					
Automatic bucket return	o ³	o ³	o ³	o ³	o ³
Weighing system	o ³	o ³	o ³	o ³	o ³
TELEMATICS	o	o	o	o	o

SCORPION		1033	741	736	732	635
Tyre sizes						
		Vehicle width¹¹				
405/70-20 Mitas MPT 01, AS profile	m	2.33	2.33	2.33	2.33	2.33
405/70-24 Mitas MPT 01, AS profile	m	2.33	2.33	2.33	2.33	2.33
405/70-24 Mitas MPT 04, AS profile	m	2.33	2.33	2.33	2.33	2.33
405/70 R 24 Dunlop SP SPT9, multipurpose profile	m	2.33	2.33	2.33	2.33	2.33
460/70 R 24 Firestone Duraforce Utility, industrial profile	m	2.39	2.39	2.39	2.39	2.39
460/70 R 24 Michelin XMCL, AS profile	m	2.39	2.39	2.39	2.39	2.39
460/70 R 24 Alliance A580, AS profile	m	2.39	2.39	2.39	2.39	2.39
460/70 R 24 Michelin Bibload	m	2.39	2.39	2.39	2.39	2.39
500/70 R 24 Alliance A580, AS profile	m	–	2.44	2.44	–	–
500/70 R 24 Michelin XMCL, AS profile	m	–	2.43	2.43	–	–
500/70 R 24 Firestone Duraforce Utility, industrial profile	m	–	2.43	2.43	–	–

¹ In accordance with ISO 14396

² Applies to all SCORPION basic class models

³ Applies to all SCORPION models with VARIPOWER equipment (comfort class)

⁴ At 2,300 rpm

⁵ At 1,900 rpm

⁶ With maximum top speed of 30 km/h in combination with VARIPOWER ground drive, the tortoise speed range is 0–22 km/h

⁷ All VARIPOWER models are also available as 30 km/h variant

⁸ All models, irrespective of transmission equipment, are also available as 20 km/h version

⁹ For VARIPOWER equipment variants with standard pallet forks, without driver, with full tank of diesel and minimum equipment. Tyres: Michelin XMCL 460/70-24

¹⁰ With standard pallet forks, without driver, with full tank of diesel and minimum equipment, tyres: Mitas MPT 01 405/70-24

¹¹ Above tyres

CLAAS continually develops its products to meet customer requirements. This means that all products are subject to change without notice. All descriptions and specifications in this brochure should be considered approximate and may include optional equipment that is not part of the standard specifications. This brochure is designed for worldwide use. Please refer to your nearest CLAAS dealer and their price list for local specification details. Some protective panels may have been removed for photographic purposes in order to present the function clearly. To avoid any risk of danger, never remove these protective panels yourself. In this respect, please refer to the relevant instructions in the operator's manual.

All technical specifications relating to engines are based on the European emissions regulation standards: Stage. Any reference to the Tier standards in this document is intended solely for information purposes and ease of understanding. It does not imply approval for regions in which emissions are regulated by Tier.

● Standard ○ Optional □ Available – Not available

SCORPION			1033	741	736	732	635
Dimensions							
A	Length including tool carrier	mm	4950	4752	4752	4752	4452
B	Overall length (without mirror)	mm	2380 ¹	2380 ¹	2380 ¹	2380 ¹	2380 ¹
C	Cab width (exterior)	mm	941	941	941	941	941
D	Track width	mm	1920	1920	1920	1920	1920
E	Overall height (without warning beacon)	mm	2465	2465	2465	2465	2465
F	Wheelbase, middle	mm	2850	2850	2850	2750	2750
G	Ground clearance	mm	405	405	405	405	405
H	Turning radius over wheels ²	mm	3906	3906	3906	3812	3812
I	Distance from front-wheel centre line to front of tool carrier	mm	1471	1272	1272	1372	1073
J	Distance from rear-wheel centre line to rear of machine (without hitch)	mm	784	784	784	784	784
K	Height to telescopic arm articulation point in frame	mm	1530	1530	1530	1530	1530
L	Rear approach angle	degrees	46	46	46	46	46
M	Tilt-in angle of pallet forks, bottom	degrees	12	13	13 ³	13 ³	13
N	Dump-out angle of pallet forks at max. overhead discharge height	degrees	20	44	44 ⁴	44 ⁴	44
	Total carriage swivel range	degrees	126	150	150 ⁵	150 ⁵	150

¹ 460/7024

² Theoretical value, turning radius varies according to tyres

³ With S-kinematics: 14 degrees

⁴ With S-kinematics: 19 degrees

⁵ With S-kinematics: 126 degrees

